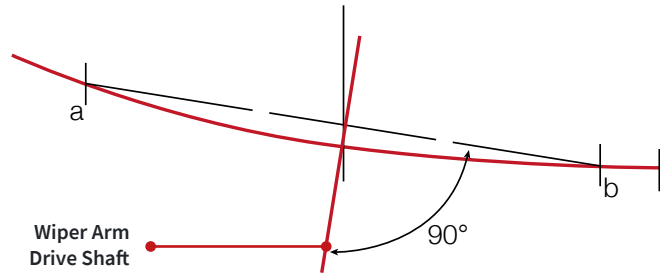
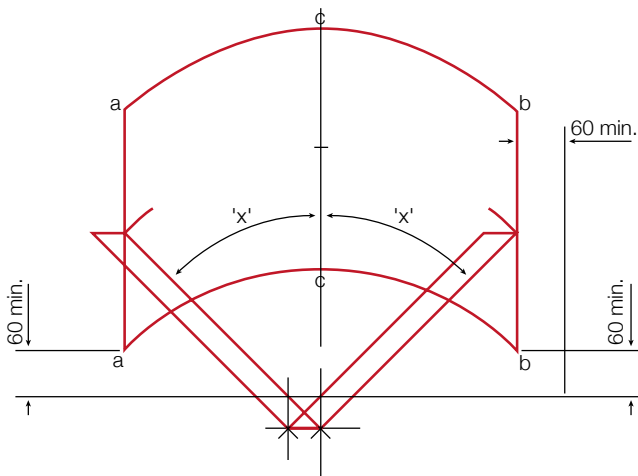


General information data:

The information given below is shown as a general installation guide. It is recommended that all new applications be referred to 'Matador' for approval.



Unless otherwise specified a rigid 3mm thick Wiper Motor mounting bracket is to be attached to an internal structure so that the Wiper Motor output shaft projects at an angle of 90° in either plane to the windscreen (see illustration).

For curved screens the output shaft axis should be at 90° to the cord, across the section of the screen to be wiped.

With pantograph arm applications the angle of arc either side of vertical must not exceed 45° (see illustration angles X-X).

All external mounting plates and seals must be fitted 'after' installing the Wiper Motor and output shaft to the vehicle to avoid binding of rubber seal on shaft.

