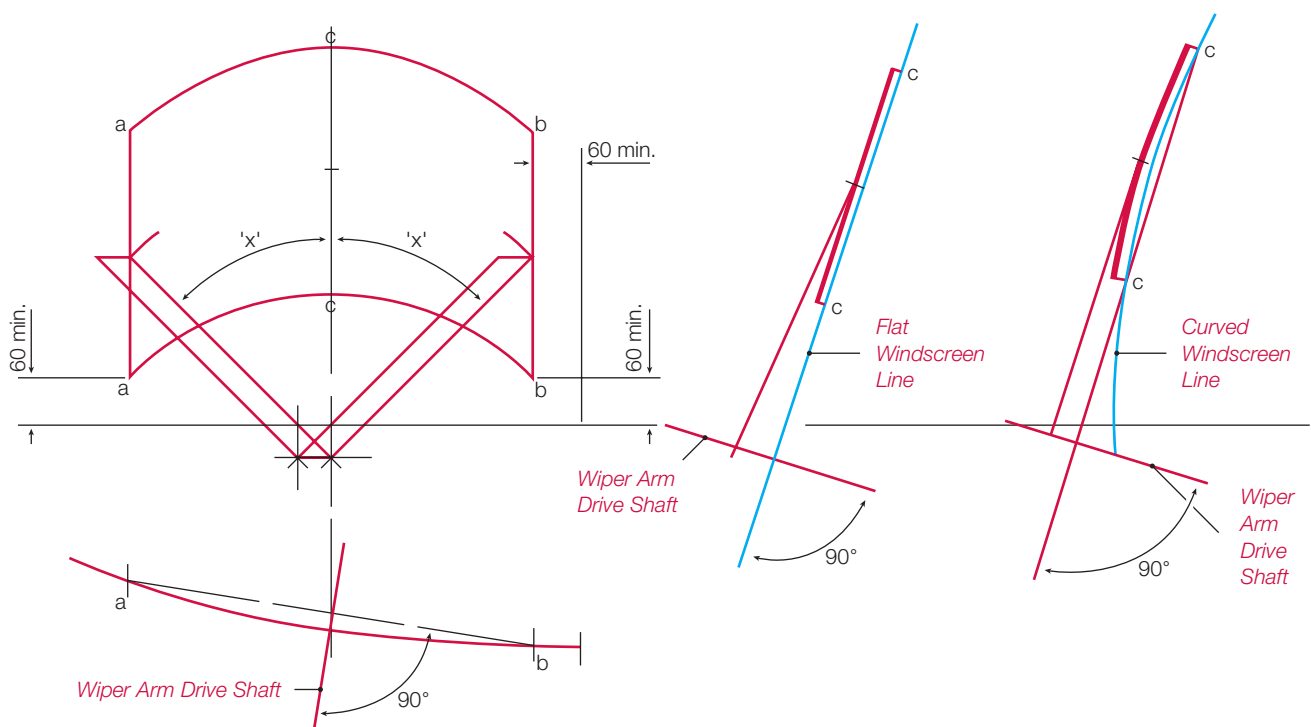




Wiper Arm Spindle Orientation

Universal Design Data

General information data: The information given below is shown as a general installation guide. It is recommended that all new applications be referred to 'Matador' for approval.



Unless otherwise specified a rigid 3mm thick Wiper Motor mounting bracket is to be attached to an internal structure so that the Wiper Motor output shaft projects at an angle of 90° in either plane to the windscreen (see illustration).

For curved screens the output shaft axis should be at 90° to the cord, across the section of the screen to be wiped.

With pantograph arm applications the angle of arc either side of vertical must not exceed 45° (see illustration angles X-X).

All external mounting plates and seals must be fitted 'after' installing the Wiper Motor and output shaft to the vehicle to avoid binding of rubber seal on shaft.

THE MATADOR COMPANY LIMITED

UNIT 6 TOP ANGEL, BUCKINGHAM INDUSTRIAL PARK, BUCKINGHAM, MK18 1TH, ENGLAND

FAX: +44 (0)1280 817717 TEL: +44 (0)1280 823824 EMAIL: wipers@matador.co.uk WEBSITE: www.matador.co.uk